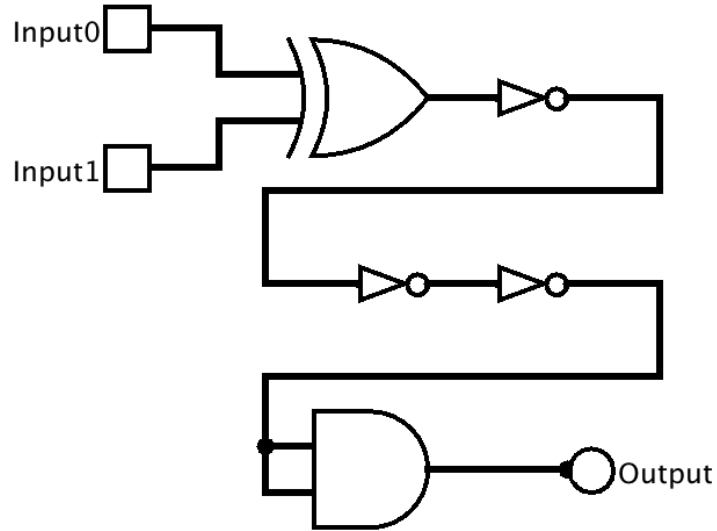
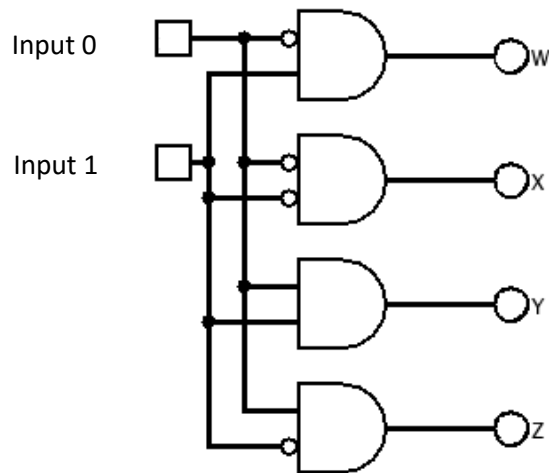


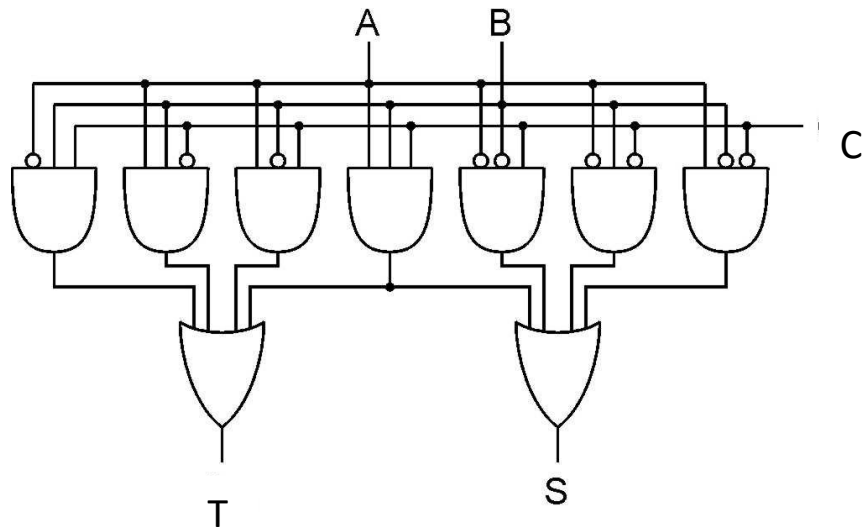
- 1) What is the column of the truth table for the Output signal, in binary order for Input1 and Input0 of 00, 01, 10, 11?



- 2) Which output signal is asserted for all possible values for Input1 (most significant) and Input0 (least significant) in binary order 00, 01, 10, 11?

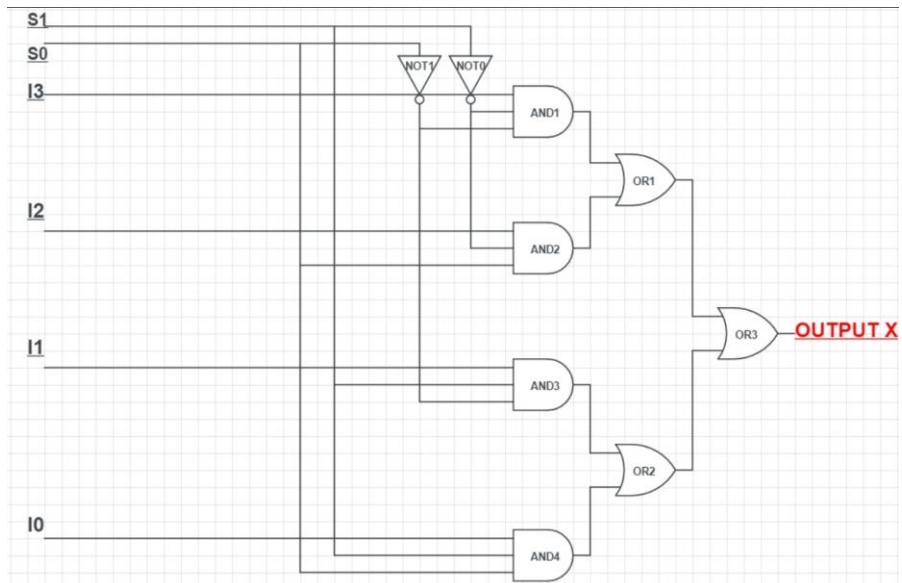


3) Draw the truth table for the following, where A, B, and C are inputs:



4) What is the above diagram?

5) Given the following and $I_0 = I_1 = 0, I_2 = I_3 = 1$, give the truth table for S_0, S_1 , and output.



6) What is the above diagram?